



*KW-Series*

# FLAGPOLE MOUNT

Patent Pending

## AFTERMARKET MANUAL



## Introduction

The flagpole mount is attached to a boat's ski bar for display of a flag. Additional information about this product and replacement kits can be obtained from [taylormadeproducts.com](http://taylormadeproducts.com).

### Flagpole Mount Kit

Part #	Description
943	Flagpole mount with fastening hardware

## Table of Contents

Introduction .....	2
Safety .....	3
Parts List .....	4
Resources Required .....	4
Installation .....	5
Operation .....	7

# Safety

Read and fully understand all instructions before installing or operating this product. Adhere to all safety labels. This manual provides general instructions. Many variables can change the circumstances of the instructions, i.e., the degree of difficulty, operation and ability of the individual performing the instructions.

This manual cannot begin to plot out instructions for every possibility but provides the general instructions, as necessary, for effectively interfacing with the device, product or system.

Failure to correctly follow the provided instructions may result in death, serious personal injury, severe product and/or property damage, including voiding of the LCI limited warranty.

## **WARNING**

**DO NOT SIT OR STAND ON THE FLAGPOLE MOUNT.**

## **CAUTION**

**DO NOT USE THE FLAGPOLE MOUNT TO TOW ANOTHER BOAT OR ANY OTHER APPARATUS.**

## **CAUTION**

**DO NOT USE THE FLAGPOLE MOUNT AS A HAND GRAB BAR TO PULL A SWIMMER ONTO THE BOAT.**

## **CAUTION**

**WHEN PULLING A SKIER OR A TUBE, MAKE SURE THE FLAG INSERTED INTO THE FLAGPOLE MOUNT IS NOT TOO LARGE. IF THE FLAG IS TOUCHING THE SKI ROPE, THE FLAG MUST BE REMOVED.**

# Parts List



## TaylorMade KW Series Flagpole Mount Kit PN 943

Part	Part #	Description	Qty
A	2021011867	Lower clamp brackets	2
B	2021011868	Mount main body	1
C1	2021011877	Rubber compression insert, 0.75	1
C2	2021011876	Rubber compression insert, 1.00	1
C3	2021011875	Rubber compression insert, 1.25	1
D	2021011874	Knob	1
E	2021011872	Flagpole coupler	1
F1	2021011881	SS machine screws for 1 1/2" OD tubing, M10x35	3
F2	2021011880	SS machine screws for 2" OD tubing, M10x55	3
F3	2021011878	SS machine screws for 2 1/2" OD tubing, M10x70	3
G	2021011883	SS machine screw for coupler, M10x25	1
H	2021011884	Hex wrench	1
I	2021011887	Miniature disposable level	1
J	2021011889	Template to measure ski bar diameter	1

# Installation

1. Assemble Steps 1 to 5 on dry land to avoid possibly dropping parts into the open water.
2. Use the enclosed cardboard template (Fig.1) to measure the outer diameter of the ski bar and to determine the correct machine screw length.

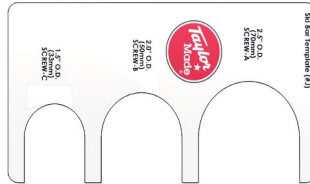


Fig.1

3. Place the flagpole coupler — the part that holds the flagpole — onto the top of the mount.

**NOTE:** Make sure to align the two slots on the top of the mount (Fig.2A) to the bottom of the coupler (Fig.2B).

4. Insert the smallest machine screw (Part G), M10x25 (Fig.3A), through the main body and into the underside of the coupler (Fig.3B). Using the included hex wrench, tighten firmly but do not overtighten.

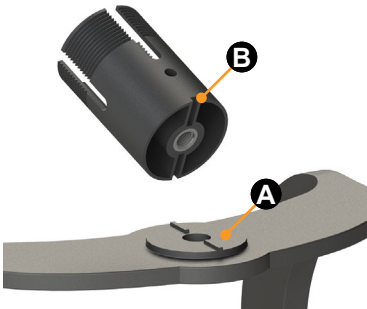


Fig.2

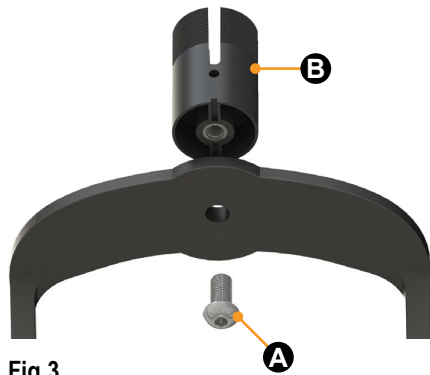


Fig.3

5. Use the mini level (Fig.4) to ensure the flagpole holder is level when attached to the ski bar. Remove the self-adhesive backing then affix the level to the flat top side of the mount. Remove when finished mounting the flagpole holder.



Fig.4

6. Based on the outer diameter of the ski bar, determine which set of machine screws to use to attach the lower clamp brackets to the mount. Size options include: F1, M10x35; F2, M10x55; and F3, M10x70.

7. Orient the mount so the top leading edge of the angled portion faces out (Fig.5).

8. Using the correct machine screw length, insert all four machine screws through holes in the base of the mount (Fig.6).

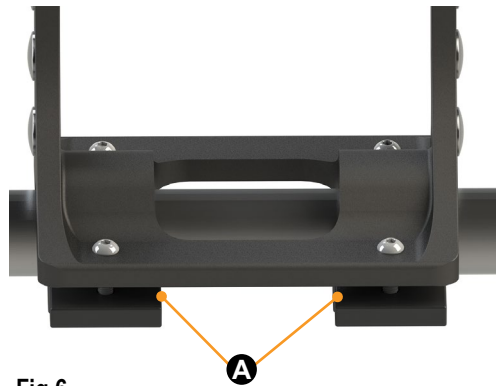
9. Hold one lower clamp bracket underneath and finger tighten two machine screws into the clamp bracket. Repeat this step for the remaining bracket.

10. Finish tightening the four machine screws using the included hex wrench. Tighten firmly but do not overtighten.

**NOTE:** Tighten the machine screws evenly so the gap between the base of the mount and the lower clamp brackets is the same on both sides as well as the front vs. the back (Fig.6A). The gap should be the same size to ensure it is properly mounted.



Fig.5



# Operation

1. Choose the proper inner diameter size of the rubber compression insert that fits the outer diameter of the flagpole:  $\frac{3}{4}$ ", 1" or 1  $\frac{1}{4}$ ".

**NOTE:** The sizes are included on the bottom of the rubber inserts.

2. Place the compression insert inside the coupler so the four slots on the rubber compression insert are aligned with the four slots in the flagpole coupler (Fig.7).

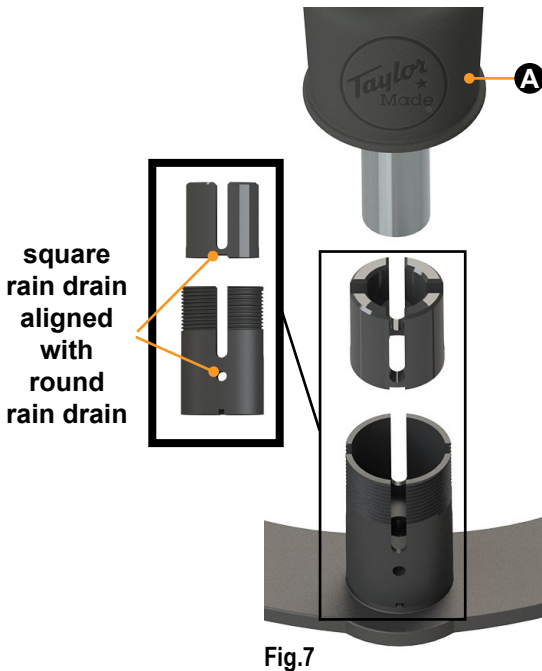
**NOTE:** Make sure to push the insert flush with the bottom of the coupler.

3. Slide the flagpole through the hand knob (Fig.7A).

4. Place the flagpole into the insert and coupler and thread the knob onto the coupler (Fig.8).

5. Tighten firmly by hand but do not overtighten.

6. Pull the flagpole upward with slight pressure to ensure it is properly fastened inside the coupler. The flagpole should not move upward.





The contents of this manual are proprietary and copyright protected by Lippert Components, Inc. Lippert™ prohibits the copying or dissemination of portions of this manual unless prior written consent from an authorized Lippert representative has been provided. Any unauthorized use shall void any applicable warranty. The information contained in this manual is subject to change without notice and at the sole discretion of Lippert. Revised editions are available for free download from [taylormadeproducts.com](http://taylormadeproducts.com).

Please recycle all obsolete materials.

For all concerns or questions, please contact:  
Taylor Made

Ph: 800-628-5188 | Web: [taylormadeproducts.com](http://taylormadeproducts.com)

Email: <https://www.taylormadeproducts.com/support/contact-us/>

