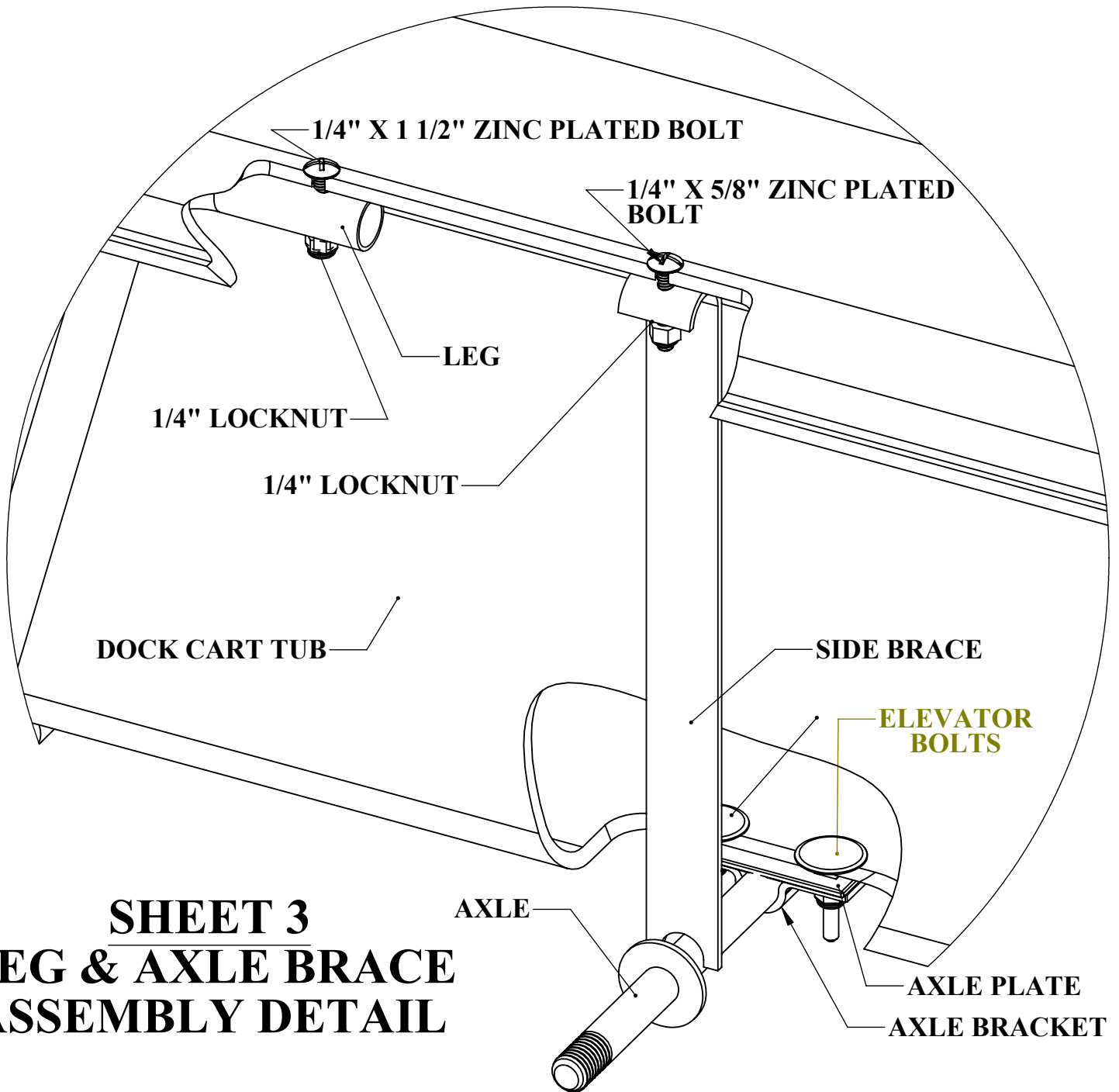
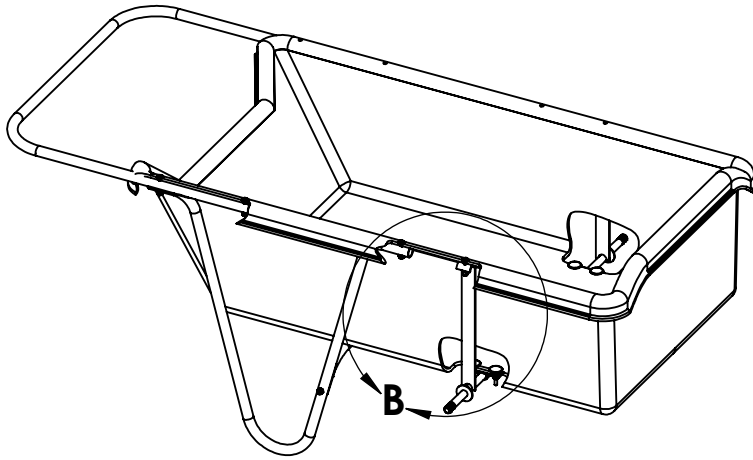


**SHEET 2**  
**HANDLE & LEG**  
**ASSEMBLY DETAIL**



**SHEET 3**  
**LEG & AXLE BRACE**  
**ASSEMBLY DETAIL**

**SHEET 4**  
**AXLE & AXLE BRACE**  
**ASSEMBLY DETAIL**

